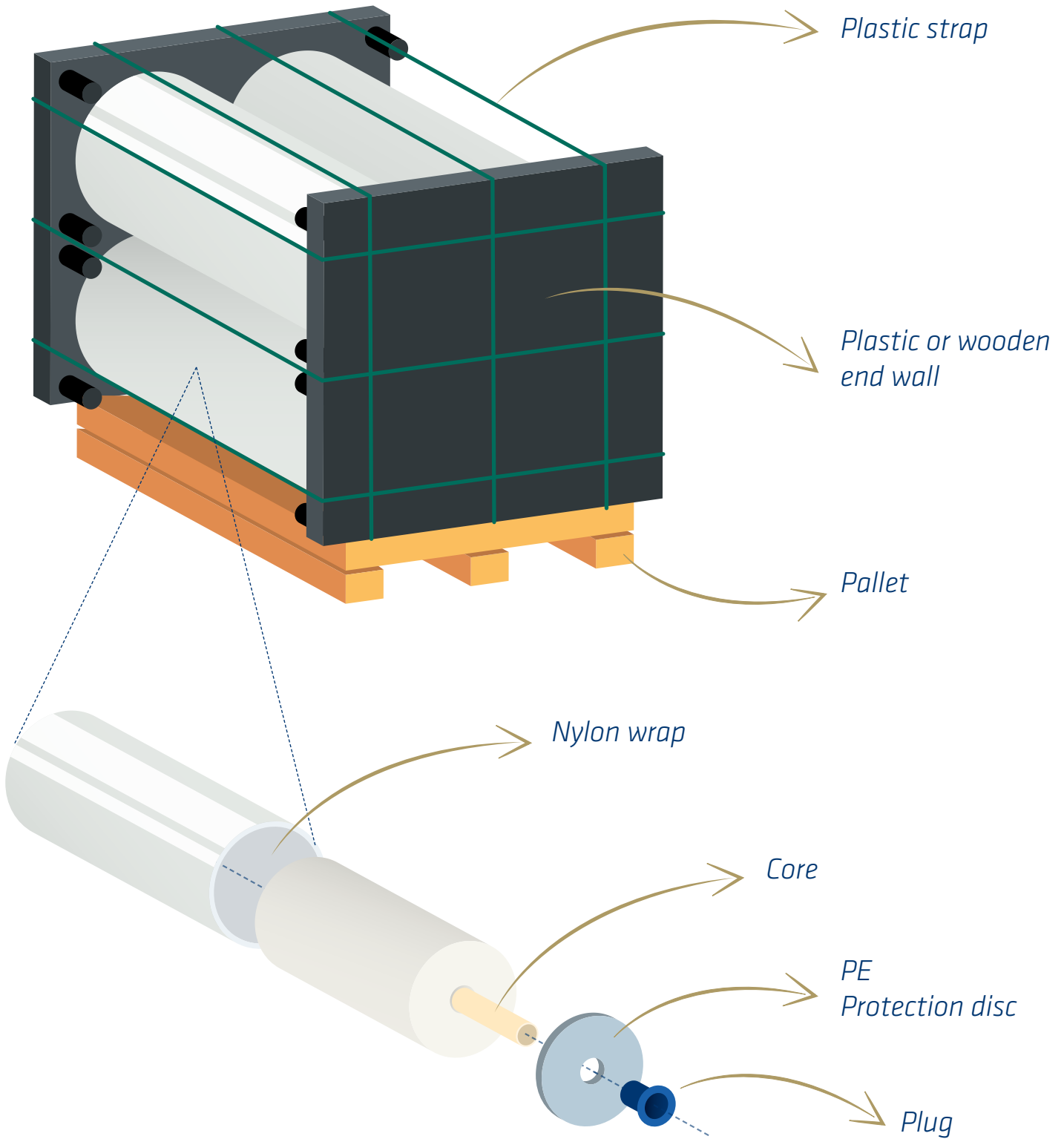


INDICATIONS ON THE TYPE OF PACKAGING  
FOR B2B FOR CORRECT DISPOSAL



## INDICATIONS ON THE TYPE OF PACKAGING FOR B2B FOR CORRECT DISPOSAL

### LABELING OF PACKAGING FOR B2B:

Pursuant to Legislative Decree n. 116 of 3 September 2020 (implemented the EU directive 2018/851 on waste and the directive (EU) 2018/852 on packaging and packaging waste) the labels required for packaging are shown so that they can be disposed of in the most correct way from an eco-sustainable point of view.

### CODING OF MATERIALS PACKAGING COMPOSITION:

UPCO		
MATERIAL	TYPE OF PACKAGING	ENVIRONMENTAL LABELING CODE
WOOD	wooden pallet	FOR50
	wooden box	FOR50
	wooden lateral support/end wall	FOR50
	wooden panel	FOR50
PLASTIC	plastic pallet	P07
	plastic lateral support/end wall	PP5
	plastic core	PVC3
	AVS/SAN plastic core	>ABS+SAN<7
	plastic core	PS6
	plastic strap	PET1
	plastic plug	LDPE4
	EPS foam roll cradle	PS6
	EVA tape	EVA7
	transparent adhesive tape	PVC3 / PP5
	PE protection disk	O7
ALUMINIUM	aluminium core	ALU41
CARDBOARD	v-shape cardboard edge protection	PAP21
	corrugated cardboard	PAP20
	greyboard	PAP21
	siliconed papered protection	PAP22
	cardboard core	PAP21
	cardboard box	PAP20
	cardboard tube	PAP21
	paper adhesive tape	PAP22
	cardboard pallet	PAP20
PLASTIC	plastic lateral support/end wall	PS6
	plastic plug	PP5
	plastic adapter	PS6